

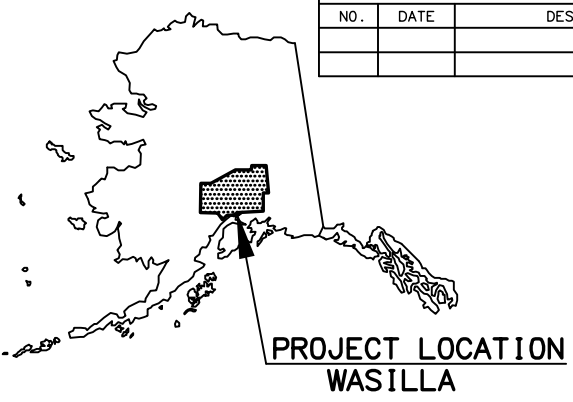
**APPENDIX C**

**PRELIMINARY PLANS**

# MATANUSKA-SUSITNA BOROUGH

## DEPARTMENT OF PUBLIC WORKS

REVISIONS			STATE	PROJECT DESIGNATION	YEAR	SHEET NO.	TOTAL SHEETS
NO.	DATE	DESCRIPTION	ALASKA		2007	A1	A1

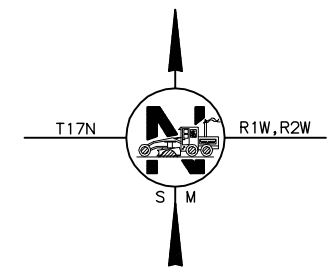


# MSB PLANNING LEVEL ANALYSIS SERVICES

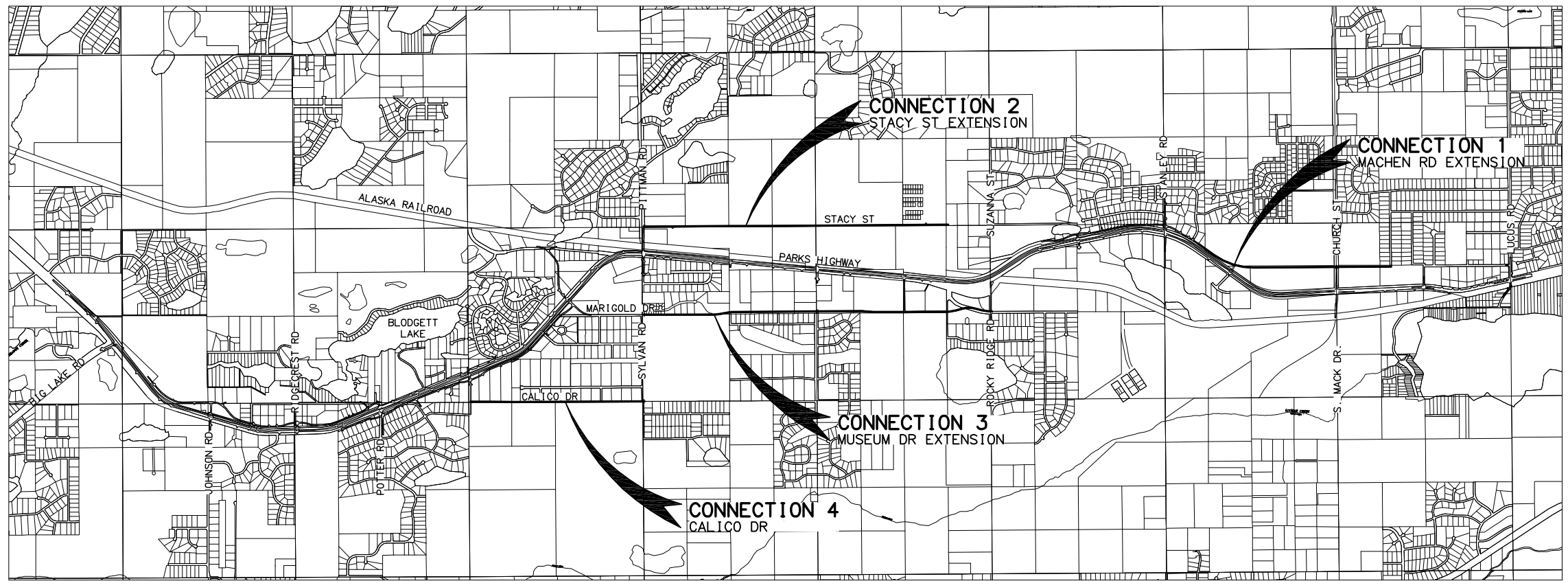
INDEX	
SHEET NO.	DESCRIPTION
A1	TITLE
B1	TYPICAL SECTIONS, LEGEND
F1 TO F16	PLAN AND PROFILES

CONCEPTUAL DESIGNS FOR COLLECTOR ROAD CONNECTIONS

PROJECT SUMMARY		
ROADWAY	LENGTH (MI.)	WIDTH (FT.)
CONNECTION 1	1.15	32
CONNECTION 2	1.75	32
CONNECTION 3	1.91	32
CONNECTION 4	1.23	32



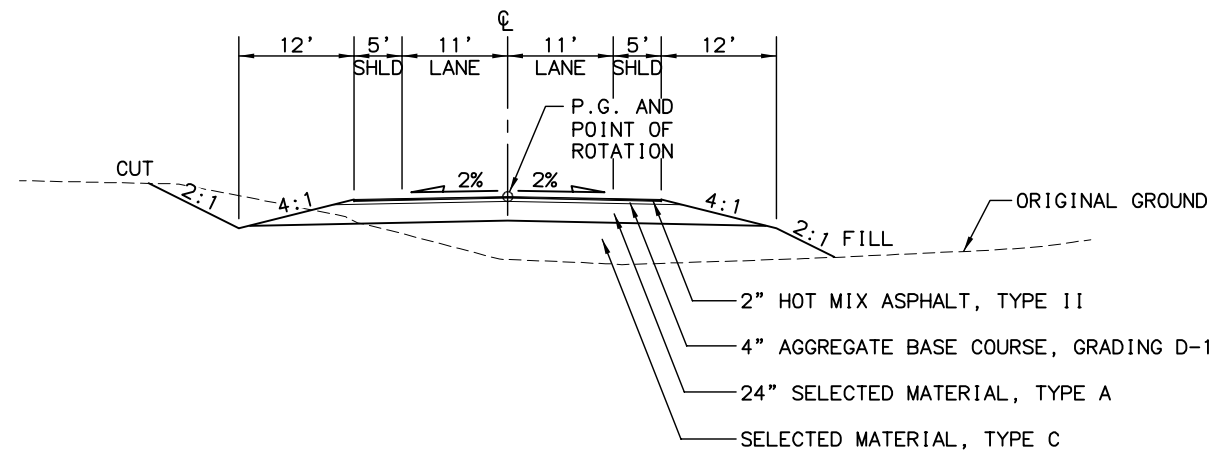
H:\jbs\07-027 MSB Planning Level Svc\CAD\Drawings\07027\_00\_A01\_1=2000\_10/24/07 at 11:02 by nry  
 XREF: SCALE 1=1 COMPUTER DESIGNATION  
 DESIGNED BY: HATTENBURG DILLEY & LINNELL  
 CHECKED BY: RFL  
 DRAFTED BY: RFL  
 PLOT DATE: 05/02/03  
 PLOT SCALE: PLOT VIEW:  
 LAYOUT: Layout1  
 VIEW: A0\_LF\_00800, A0\_LL\_5000, A0\_LH\_7700  
 XREF: 07027\_00\_PARCELS, 07027\_00\_WETLANDS, 07027\_00\_X01



DESIGNED BY: HATTENBURG DILLEY & LINNELL

NOT FOR CONSTRUCTION

REVISIONS			STATE	PROJECT DESIGNATION	YEAR	SHEET NO.	TOTAL SHEETS
No.	DATE	DESCRIPTION	ALASKA		2007	B1	B1



**LEGEND**

- PROPOSED COLLECTOR ROAD CONNECTION
- PARKS HIGHWAY MP 44-52 PROPOSED IMPROVEMENTS PROJECT NO. IM-OA4-1(23)/57178
- LIMIT OF CUT SLOPE
- LIMIT OF FILL SLOPE
- PROPOSED RIGHT OF WAY
- EXISTING RIGHT OF WAY
- SECTION LINE EASEMENT
- PROPERTY LINE
- STREAM/CREEK
- WETLANDS

H:\jobs\07-027 MSB Planning Level Svc\CAD\Drawings\07027\_00\_B01\_1=10\_10/24/07 at 09:06 by nry  
 XREFS: PLOT CTB: adol\_s.adol.ctb  
 SCALE: 1" = 40' PLOT SCALE: 1" = 40'  
 COMPUTER DESIGNATION: PLOT VIEW:

LAYOUT: Model1  
 VIEW: B0\_LF\_00800, B0\_LL5000, B0\_LL7700  
 XREF: 07027\_00\_B001

**PRELIMINARY ENGINEERING  
NOT FOR CONSTRUCTION**

MATANUSKA-SUSITNA BOROUGH  
DEPARTMENT OF PUBLIC WORKS  
PALMER, ALASKA

**MSB PLANNING LEVEL SERVICES**

**TYPICAL SECTIONS  
LEGEND**

**WORK IN PROGRESS**  
This document represents  
current concepts as of \_\_\_\_\_  
(See date @ left border)

**HATTENBURG DILLEY & LINNELL**